

SAFETY SHUT-OFF DEVICES for Gaseous Fuels



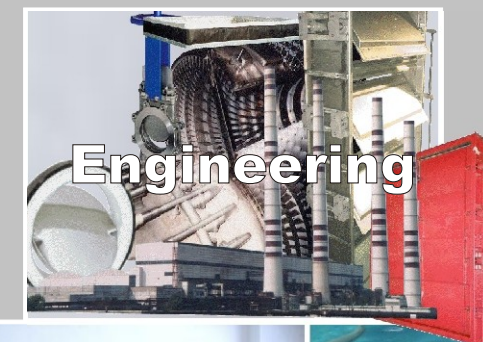
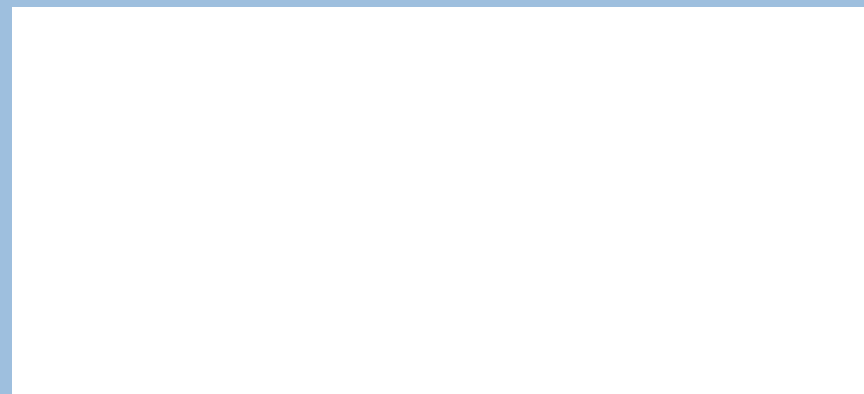
■ made
■ in
■ Germany

CONTACT

ZANNI + PARTNER LTD.
Rheinpromenade 9
40789 Monheim
Germany

More information
URL: <http://www.zanni.group>

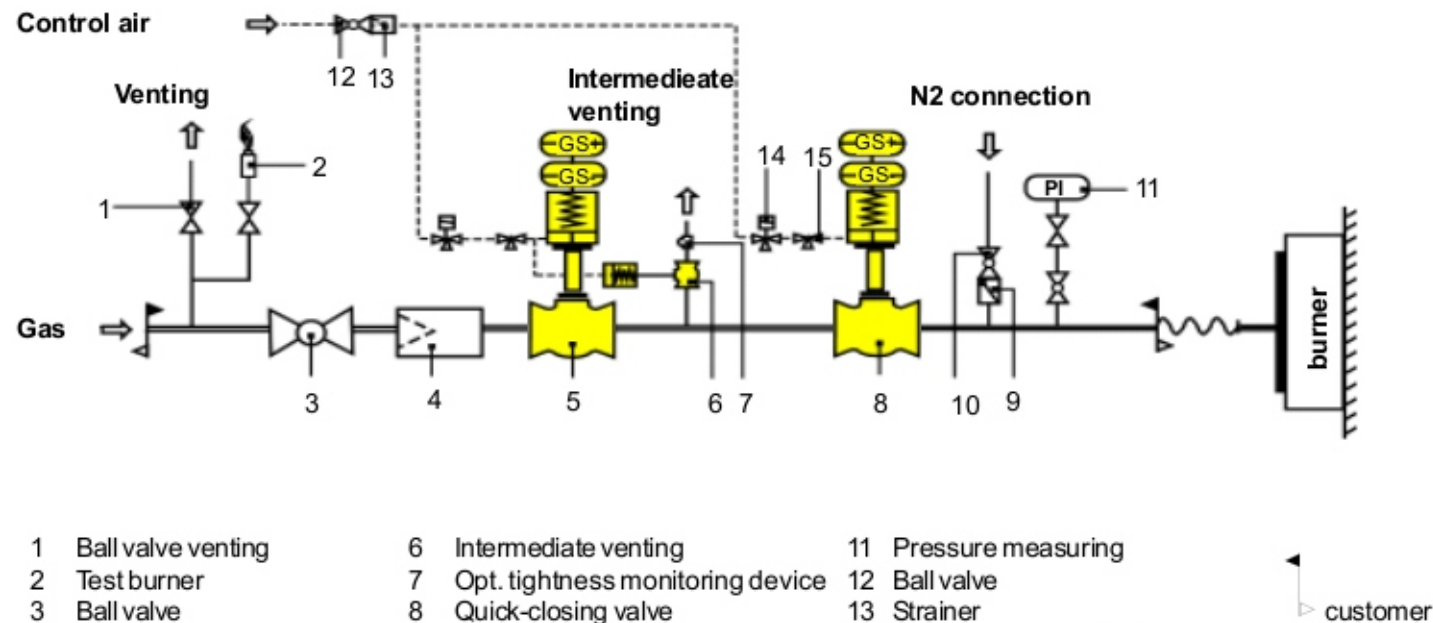
LOCAL OFFICE



Safety Shut-off Devices for Gaseous Fuels

such as natural gas, coke oven gas or process gas

Flow Diagram of a Gas Burner Valve Station



- | | | |
|-----------------------|------------------------------------|------------------------------|
| 1 Ball valve venting | 6 Intermediate venting | 11 Pressure measuring |
| 2 Test burner | 7 Opt. tightness monitoring device | 12 Ball valve |
| 3 Ball valve | 8 Quick-closing valve | 13 Strainer |
| 4 Strainer | 9 Non-return valve | 14 3/2-way directional valve |
| 5 Quick closing valve | 10 Ball valve | 15 Quick-acting vent |



- Uniform clearly structured and easy-to-maintain system for the operation of gas burner
- Ready-to-connect unit checked for tightness and proper functioning
- Quick-closing gas valves according to EC prototype test (Modul B) in accordance with Directive 97/23/EC including a component test to EN 161 and DIN 3394-T1
- Delivery conditions to DIN 3230-T5
- Material certificates to EN 10 204-3.1 B
- Modified equipment including control valve, orifice plate, pressure measuring points etc. available on request

Safety Shut-off Devices for Gaseous Fuels

such as natural gas, coke oven gas or process gas

Quick-closing Valve Combination with Intermediate Venting for Gas Burners

Type KVII/F-KVII/F



Application

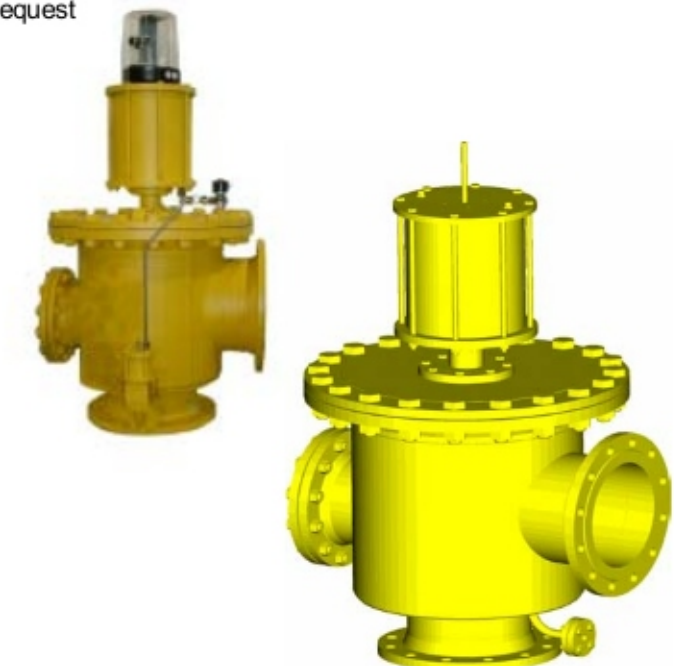
- Gas firing systems on steam boilers to TRD 412
 - Gas-carrying piping systems in all industrial fields
 - Valves with type testing to

97/23/EC	Pressure Equipment Directive, module B
DIN EN 161	Automatic shut-off valves for gas burners and gas appliances (operating pressure of up to 4 bar)
DIN 3394-P	Automatic Control Valves – Pressure relief, safety and regulation valves for pressure above 4 bar up to 16 bar
DIN EN 12 952	Water tube boilers and auxiliary installations
DIN EN 12 953	Shell boilers
- Nominal diameter: 15 to 300 mm
 Operating pressure: up to 40 bar
 Operating temperature: -15°C to 200°C

Technical Data

- Valve body: Cast steel GS-C 25
 Nodular cast iron GGG40.3
 Stainless steel 1.4408
- Plug seal: Perbunan/Viton/Teflon
 Stem seal: Maintenance-free due to stainless steel bellows
- Actuator: Pneumatic piston actuator with closing-spring
- Control:
 - Electromagnetically operated 3/2 directional valve
 - Position indication via limit switches

Larger nominal diameters and special designs available on request



Quick-closing Gas Valve with Double Sealing and Intermediate Venting Type KVII/FD

Application

- Special combustion plants
 - Coke-oven gas combustion plants
 - Valves with type testing to:

97/23/EC	Pressure Equipment Directive, module B
----------	--
- Nominal diameter: 200 to 400
 Operating pressure: up to 16 bar
 Operating temperature: -15° C to 200° C

Technical Data

- Valve body: Welded steel construction
 Sealing elements: Perbunan/Viton/Teflon
 Stem seal: Maintenance-free due to stainless steel bellows
- Actuator: Pneumatic piston actuator with closing-spring
- Control:
 - Electromagnetically operated 3/2 directional valve
 - Position indication via limit switches

Special design on request