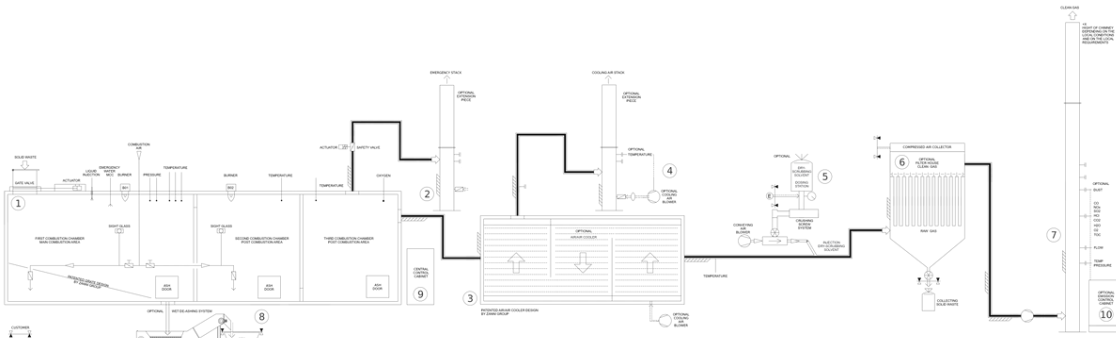
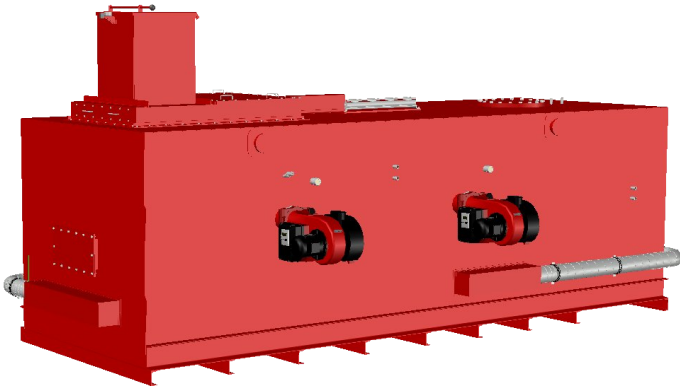


Example of modern Small- and Mid-sized stationary combustion plants



Numbered flow sheet of a modern stationary combustion plant as a useful help to selecting all the important parts.



Small- and Mid-sized stationary combustion furnace with patented ZANNI combustion grate

[1 Combustion furnace.pdf](#)

RDF (Refuse Derived Fuel) * Mix of clinical waste, paper and fabric residues, polymers, other solid and sludge waste fractions, like sewage sludge.

Type of plant Small- and Mid-sized Capacities:
200, 300, 400, 500, 600, 800, 1000 kg/h
@ 15000 kJ/kg waste

Combustion grate Patented ZANNI combustion grate with highly efficient waste ventilation



ZANNI combustion grate for all types of waste

English Flyer
[GRATE-SR10S202020000952.pdf](#)



ZANNI-Verbrennungsrost für alle Abfallarten

Deutscher Flyer
[VERBRENNUNGSROST -SR10S202020000952.pdf](#)



ZANNI combustion grate fact sheets

English Flyer
[ZANNI-GRATE.pdf](#)



ZANNI Verbrennungsrost Fakten

Deutscher Flyer
[ZANNI-VERBRENNUNGSROST.pdf](#)



ZANNI combustion grate for sewage sludge incineration

English brochure
[SEWAGE SLUDGE.pdf](#)

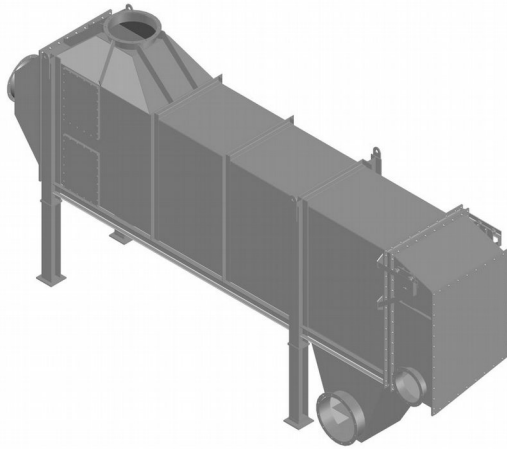


ZANNI Verbrennungsrost für Klärschlammverbrennung

Deutsche Broschüre
[KLAERSCHLAMM.pdf](#)

Example of modern Small- and Mid-sized stationary combustion plants

Flue gas cooler



Patented flue gas cooler
3 Flue gas cooler.pdf

Flue gas filter system



Flue gas filter system
6 Filter systems and flue gas cleaning .pdf

Other equipment listed in the flow sheet



2 Emergency chimneys.pdf



8 De-Ashing systems.pdf



4 Cooling air chimneys.pdf



9 Control cabinets.pdf



5 Dry-scrubbing-solvent systems.pdf



10 Continuous emission monitoring systems (CEMS).pdf



7 Flue gas (Clean gas) chimneys.pdf

Example of modern Small- and Mid-sized stationary combustion plants

Technical data

Technical data sheets ONLINE

As an example for the:
Als ein Beispiel fuer die:

SLUDGE AND SOLID INCINERATION
SCHLAMM- UND FESTSTOFFVERBRENNUNG

[Overview of all SICF plants](#)
(200 - 1000 kg/h)

[SICF 200](#)
(200 kg/h)

[SICF 400](#)
(400 kg/h)

[SICF 600](#)
(600 kg/h)

[SICF 1000](#)
(1000 kg/h)

[SICF 300](#)
(300 kg/h)

[SICF 500](#)
(500 kg/h)

[SICF 800](#)
(800 kg/h)



PDF documents

Technical Data Sheets and General Layout Drawings

Small size combustion plants

Capacity of plant: 200 kg/h

Technical data sheet of a combustion plant, suitable for mixed municipal, hospital, industrial waste and sewage sludge
Plant capacity 200 kg/h mixed waste @ 15000 kJ/kg

[DesignDataTable200.pdf](#)

Example of a general layout of a combustion plant with 200 kg/hour capacity for sewage sludge combustion and other hazardous waste

Drawing number: 1860-200KG-SR10S-202020000952

[1860-200KG-SR10S-202020000952.pdf](#)

Capacity of plant: 300 kg/h

Technical data sheet of a combustion plant, suitable for mixed municipal, hospital, industrial waste and sewage sludge
Plant capacity 300 kg/h mixed waste @ 15000 kJ/kg

[DesignDataTable300.pdf](#)

Example of a general layout of a combustion plant with 300 kg/hour capacity for sewage sludge combustion and other hazardous waste

Drawing number: 1860-300KG-SR10S-202020000952

[1860-300KG-SR10S-202020000952.pdf](#)

Capacity of plant: 400 kg/h

Technical data sheet of a combustion plant, suitable for mixed municipal, hospital, industrial waste and sewage sludge
Plant capacity 400 kg/h mixed waste @ 15000 kJ/kg

[DesignDataTable400.pdf](#)

Example of a general layout of a combustion plant with 400 kg/hour capacity for sewage sludge combustion and other hazardous waste

Drawing number: 1860-400KG-SR10S-202020000952

[1860-400KG-SR10S-202020000952.pdf](#)

Mid-size combustion plants

Capacity of plant: 500 kg/h

Technical data sheet of a combustion plant, suitable for mixed municipal, hospital, industrial waste and sewage sludge
Plant capacity 500 kg/h mixed waste @ 15000 kJ/kg

[DesignDataTable500.pdf](#)

Capacity of plant: 600 kg/h

Technical data sheet of a combustion plant, suitable for mixed municipal, hospital, industrial waste and sewage sludge
Plant capacity 600 kg/h mixed waste @ 15000 kJ/kg

[DesignDataTable600.pdf](#)

Example of a general layout of a combustion plant with 600 kg/hour capacity for sewage sludge combustion and other hazardous waste

Drawing number: 1860-600KG-SR10S-202020000952

[1860-600KG-SR10S-202020000952.pdf](#)

Example of modern Small- and Mid-sized stationary combustion plants

Technical data



PDF documents

Technical Data Sheets and General Layout Drawings

Capacity of plant: 800 kg/h

Technical data sheet of a combustion plant, suitable for mixed municipal, hospital, industrial waste and sewage sludge
Plant capacity 800 kg/h mixed waste @ 15000 kJ/kg

[DesignDataTable800.pdf](#)

Example of a general layout of a combustion plant with 800 kg/hour capacity for sewage sludge combustion and other hazardous waste

Drawing number: 1860-800KG-SR10S-202020000952

[1860-800KG-SR10S-202020000952.pdf](#)

Capacity of plant: 1000 kg/h

Technical data sheets of combustion plants, suitable for mixed municipal, hospital, industrial waste and sewage sludge
Plant capacity 1000 kg/h mixed waste @ 15000 kJ/kg

[DesignDataTable1000.pdf](#)

Example of a general layout of a combustion plant with 1000 kg/hour capacity for sewage sludge combustion and other hazardous waste

Drawing number: 1860-1000KG-SR10S-202020000952

[1860-1000KG-SR10S-202020000952.pdf](#)

Summary for the above mentioned plant examples

Summary of technical data sheets of combustion plants, suitable for mixed municipal, hospital, industrial waste and sewage sludge and other hazardous waste

Plant capacities 200 - 1000 kg/h mixed waste @ 15000 kJ/kg

[DesignDataTableAll.pdf](#)

Burners for our combustion plants

Weishaupt burners, WK series, WK40 to WK80
300 kW to 28,000 kW

[Industrial-burners-WK-series.pdf](#)

alternatives depending on the application

Weishaupt WM 10 monarch® burners
(55 - 1250 kW) - versatile performance
[monarch-burners-wm10.pdf](#)

Weishaupt WM 20 monarch® burners
(150 - 2600 kW) - compact and powerful
[monarch-burners-wm20.pdf](#)

Weishaupt WM 30 monarch® burners
(350 - 6200 kW) - powerful and versatile
[monarch-burners-wm30.pdf](#)

A useful guide to tendering

[International tender specification template.pdf](#)

Subject to change.

Sample data only.

Changes to individual parameters can affect all values!

Any questions?

We look forward to your contact with us!

Thank you.



ZANNI + PARTNER Limited
BrauhoF 12
44866 Bochum
Germany

Phone: +49 2327 4178191
Fax: +49 2327 4178192
email: mail@zanni.group
Internet: www.zanni.group

Director: Andreas Zanni
Reg. No: HRB 18521
Court: Bochum
VAT No.: DE 254351790